

DOUBLE BOW SHOULDER BAG

28CM X 24CM | 11" X 9 1/2"



2
green
zebras

AUSTRALIAN DISTRIBUTOR

LIBERTY.
FABRICS

FABRIC REQUIREMENTS

DOUBLE BOW SHOULDER BAG SIZE 28CM X 24CM | 12" X 8"

Fabric SKU	Fabric SKU	Metric	Inches
------------	------------	--------	--------

TO MAKE TOTE



036375475A 50CM WOF 19 5/8"



036375476D 40CM WOF 15 3/4"



40cm x 90cm Fusible interfacing high loft or wadding to stabilise

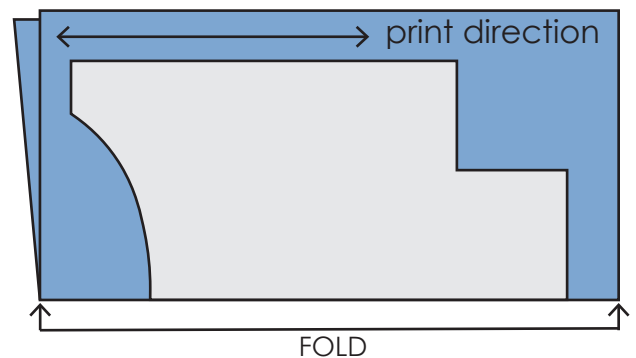
CUTTING INSTRUCTIONS

Cut your fabric in the following way in order to follow the directional fabric pattern, use the pattern templates on the next pages to centre the bouquet:

FROM THE OUTER FABRIC CUT:

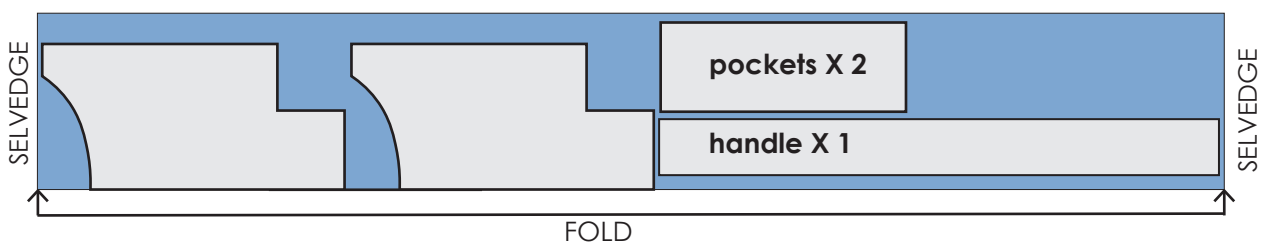
- 2 15 3/4" (40cm) squares for front and back of bag
- 1 2 1/2" x 25" strip for handle
- 2 3" x 19 1/2" strips for decorative bow ties

Take the 40cm squares and fold in half along the length of the pattern direction then place your pattern template along the fold and cut 1 piece from each folded square for front and back of your bag.

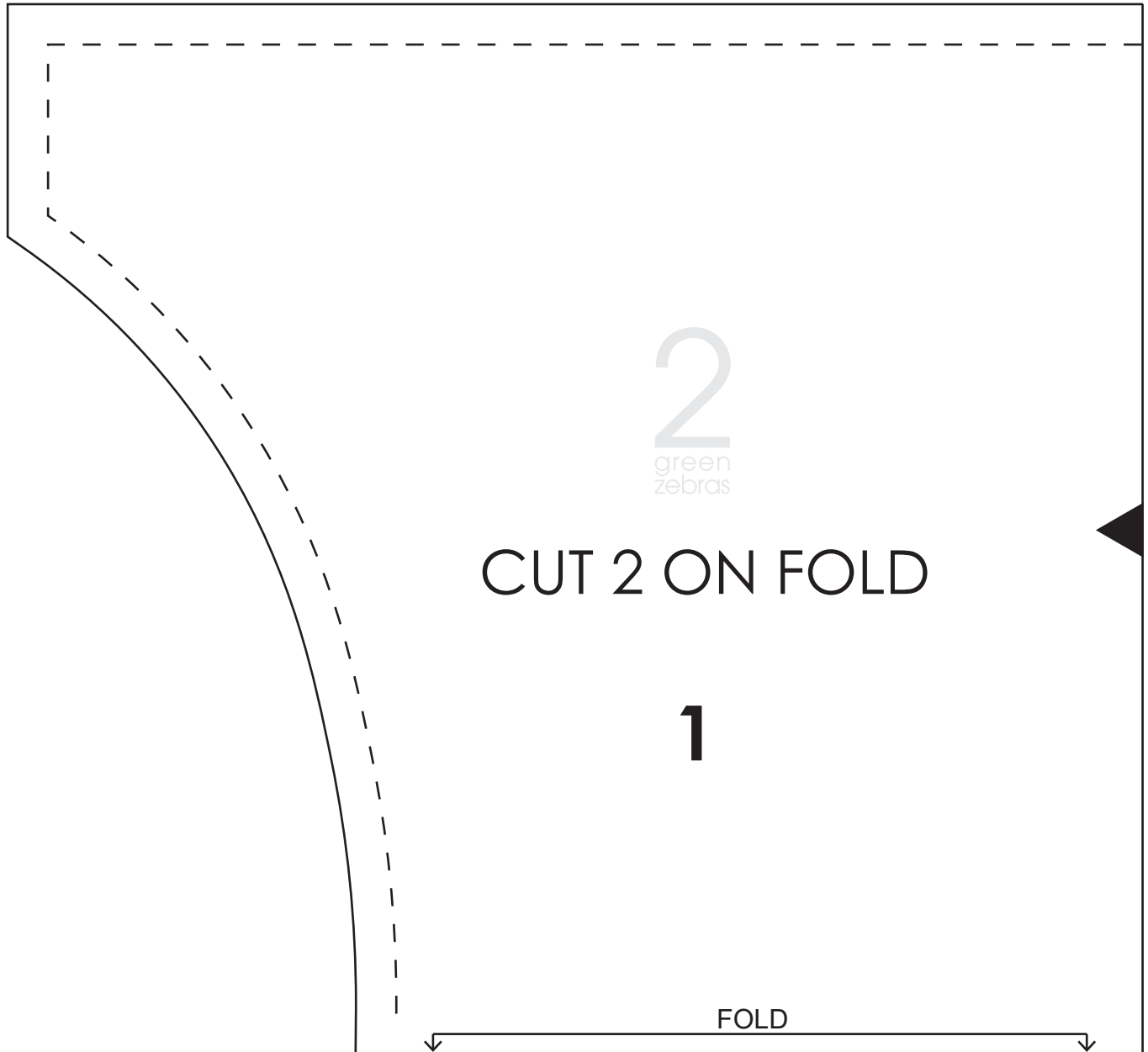


FOLD THE LINING FABRIC LENGTHWAYS AND CUT:

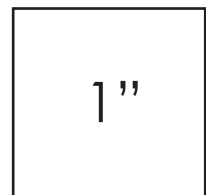
- 2 pieces for lining **cut on the fold**
- 1 2 1/2" x 25" strips for handle
- 2 6" x 12" (15.5cm x 30.5cm) rectangles for pockets



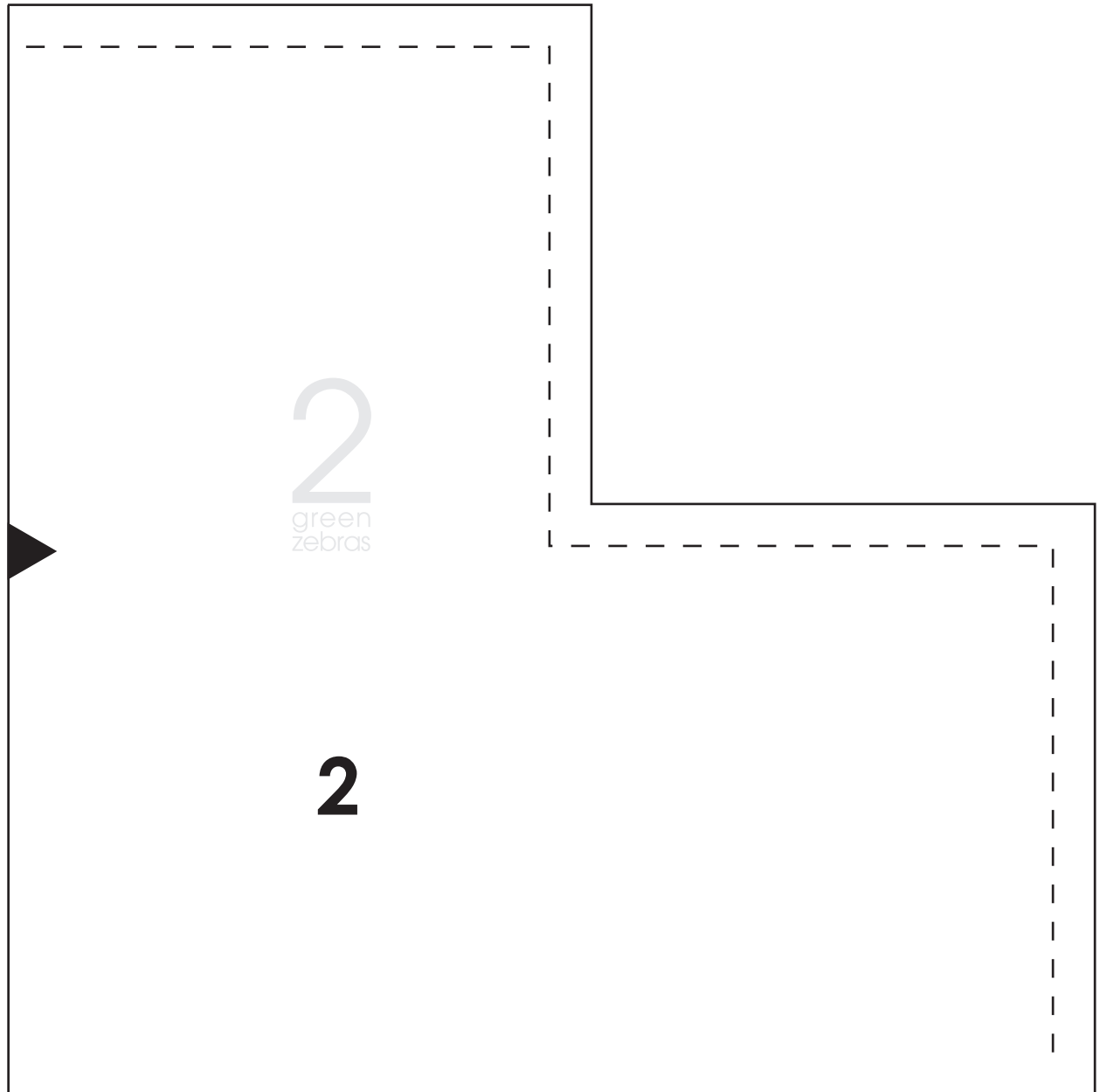
PATTERN INSTRUCTIONS



Print to actual size



PATTERN INSTRUCTIONS



PATTERN INSTRUCTIONS

Use a ¼" seam allowance throughout, unless otherwise stated.

DECORATIVE BOW TIES

Take your bow strips and hem each short end. Fold in half lengthways and press. Unfold and fold each long raw edge to the middle press line then fold in half lengthways again and stitch all around the edges to close. Press and set aside.

HANDLE

Take your outer and lining handle strips and iron your interfacing to the wrong side of the outer strip. Place strips right sides together and sew down the long sides, leaving the Short ends open. Trim excess seam allowance and turn right side out. Topstitch down the long edges and set aside.



POCKETS FOR LINING.

Take the two pocket lining pieces, fold in half lengthways with right sides together. Sew around the edges and base leaving the top raw edge open. Turn right side out and fold in the raw edge and sew to close the top.

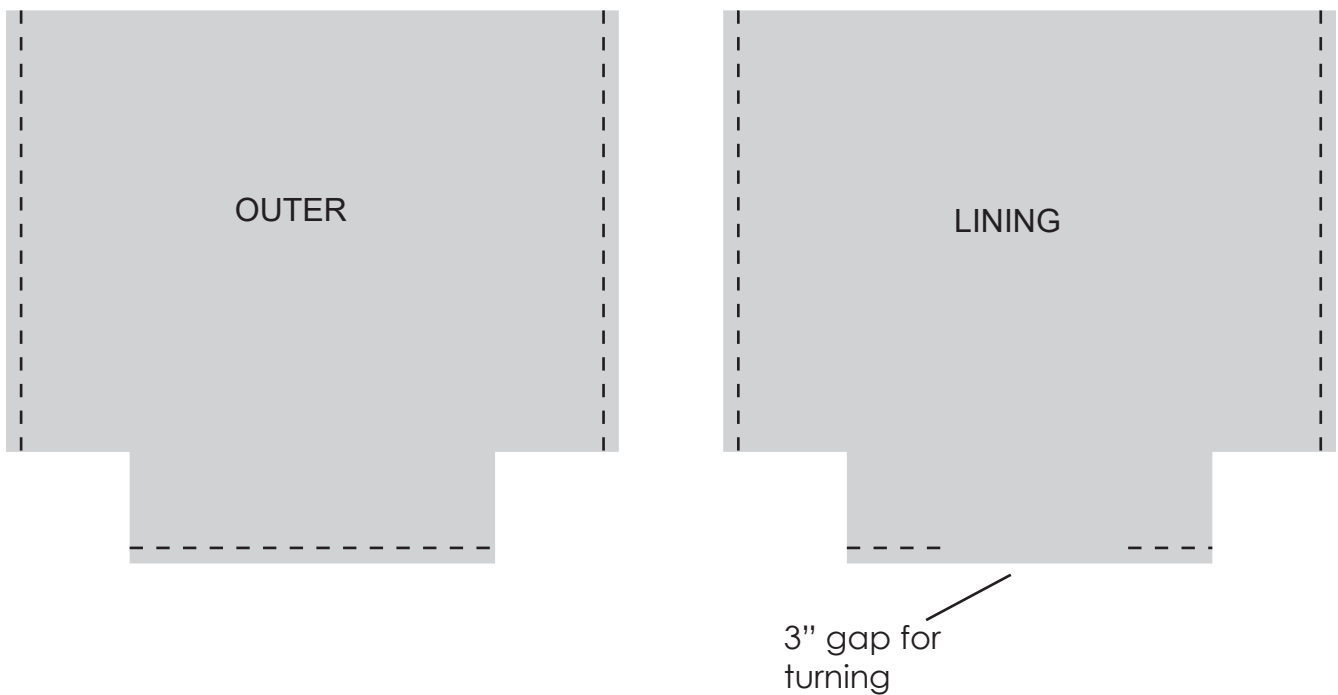
Take your bag lining pieces and fold in half and press lightly to find the centre line. Pin your pocket pieces to the centre of each lining piece and sew in place following the sewn line on the pocket, leaving the top open. Press.

PATTERN INSTRUCTIONS

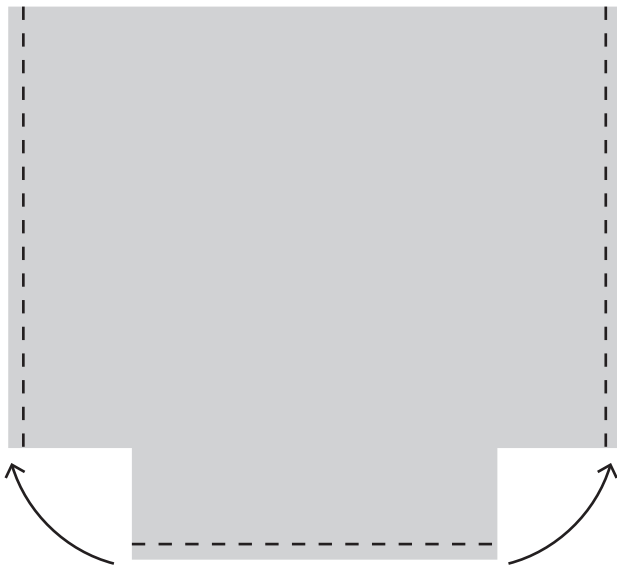
STABILISE YOUR BAG PIECES

Take your wadding/interfacing squares and iron or glue baste to the reverse side of your outer bag pieces. Quilt in your preferred way (optional). Trim excess wadding to size.

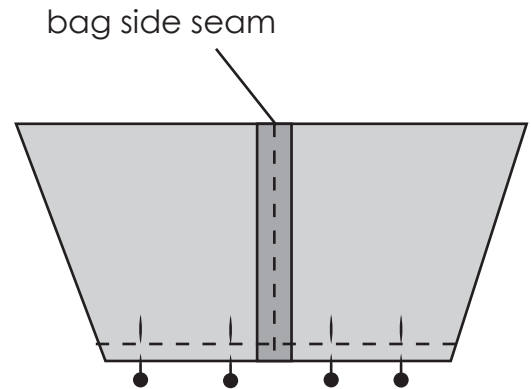
Take your outer bag pieces and sew along the sides and base of the bag leaving the top edge and corner sections open. Repeat for lining pieces leaving a 3" gap for turning.



PATTERN INSTRUCTIONS



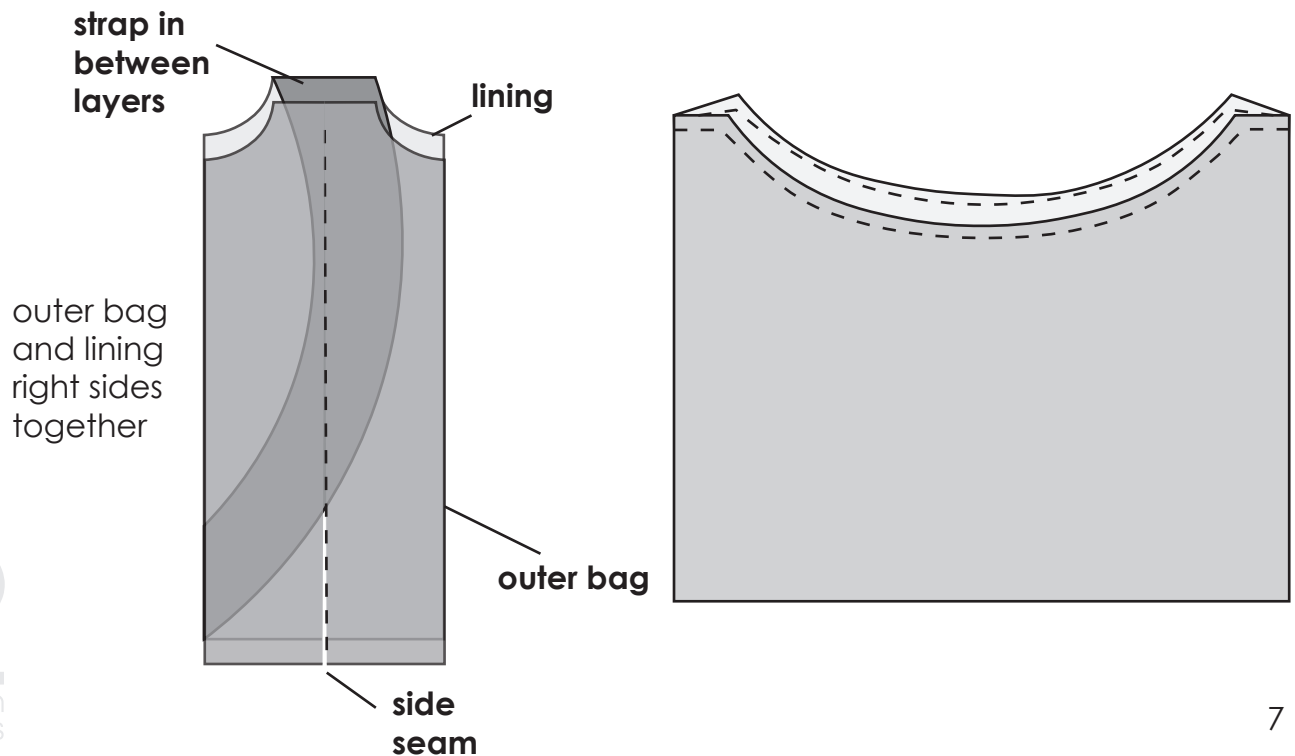
Take your bottom corner edges and pinch together with the sides of the bag, matching up the side seams.



Pin and stitch to close corners to box out the base of the bag.

Repeat all steps for lining pieces. Turn outer and lining pieces right sides out and press.

Place the outside of the bag inside the lining, right sides together, matching side seams. Take your straps and pin to outer fabric right sides together, facing downwards inside the bag between the layers, matching raw edges with the top of the bag. Loop your strap and pin to the opposite side, adjusting to desired length. Pin and sew with a 1/2" seam allowance around the top edge of the bag.



PATTERN INSTRUCTIONS

Turn your bag right side out through the gap left in the lining. Press your bag. Sew the gap in the lining closed.

Topstitch around the top of the bag. Take the decorative bows pieces you prepared earlier and fold in half to find the middle and pin and sew the middle to each side of the bag just below the strap join. Tie in a bow and your bag is finished.



sew to secure
bow piece

side view of bag for
bow placement



2
green
zebras

Two Green Zebras
Worldwide Distributor of
Devonstone Collection

www.twogreenzebras.com
sales@twogreenzebras.com
@2greenzebras @devonstone_collection

AUSTRALIAN DISTRIBUTOR
LIBERTY.
FABRICS