

SLOUCHY BOW TOTE

42CM X 38CM | 18 1/2" X 15"



2
green
zebras

AUSTRALIAN DISTRIBUTOR

LIBERTY.
FABRICS

FABRIC REQUIREMENTS

SLOUCHY BAG 42CM X 38CM | 18 1/2" X 15"

Fabric SKU	Fabric SKU	Metric	Inches
------------	------------	--------	--------

TO MAKE TOTE



036375477A

80CM WOF

31 1/2"



036375476C

80CM WOF

31 1/2"



High loft interfacing 60cm x 90cm to add stability to your bag.
Optional Lightweight interfacing for the straps (1m x 26cm).

CUTTING INSTRUCTIONS

Trim the selvages from both fabrics

From the outer fabric cut: (see diagram for options)

- 2 20" x 16" (50.8cm x 40.6cm) rectangles
- 2 5" x 40" (12.7cm x 101.6cm) for straps

From the lining fabric cut:

- 2 20" x 16" (50.8cm x 40.6cm) rectangles
- 2 5" x 40" (12.7cm x 101.6cm) for straps
- 2 7" x 14" (17.75cm x 35.5cm) for pockets

From the interfacing cut:

- 2 20" x 16" (50.8cm x 40.6cm) rectangles from high loft interfacing
- 2 39" x 5" (1 m x 12.7cm) strips for straps from lightweight interfacing.



PATTERN INSTRUCTIONS

Use a 1/4" seam allowance throughout, unless otherwise stated.

POCKETS FOR LINING.

Take the two pocket lining pieces, fold in half lengthways with right sides together. Sew around the edges and base leaving the top raw edge open. Turn right side out and fold in the raw edge and sew to close the top.

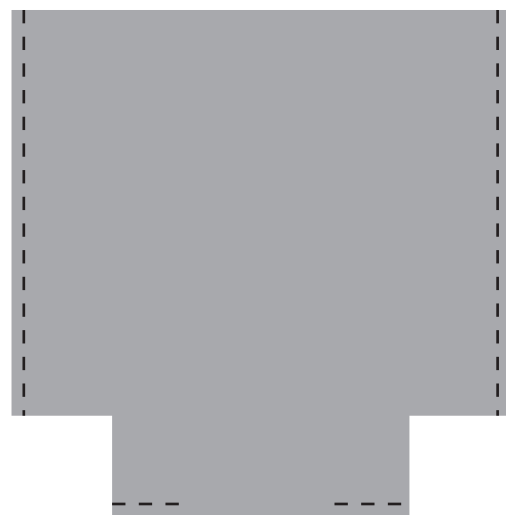
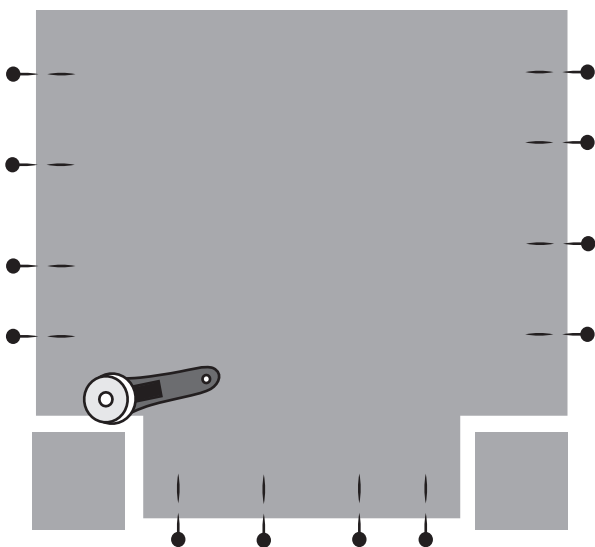
Take your bag lining pieces and fold in half and press lightly to find the centre line. Pin your pocket pieces to the centre of each lining piece and sew in place following the sewn line on the pocket, leaving the top open. Press.

OUTER BAG AND LINING INSTRUCTIONS

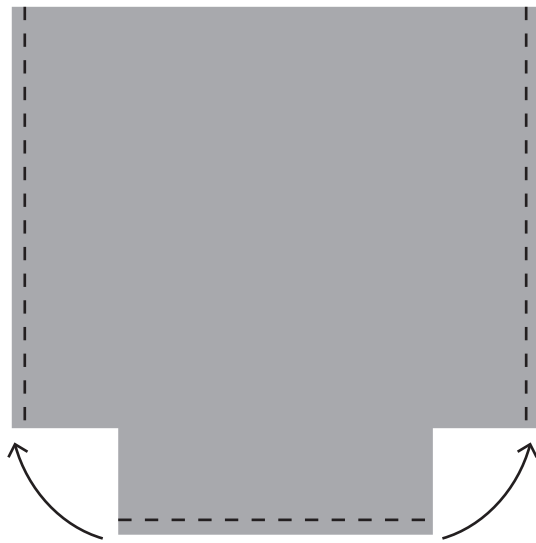
Iron your interfacing to the wrong side of your outer bag pieces. Leave a 1/4" gap from the edge of your fabric to reduce bulk in the seam when sewing together.

Place your outer bag pieces right sides together. Pin in place and cut a 3" square off each bottom corner. Stitch the base and sides, leaving the top and corner sections open.

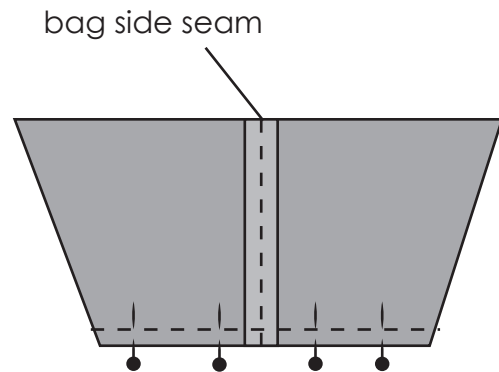
Repeat for lining pieces, **leaving a 3" gap for turning.**



PATTERN INSTRUCTIONS



Take your bottom corner edges and pinch together with the sides of the bag, matching up the side seams.

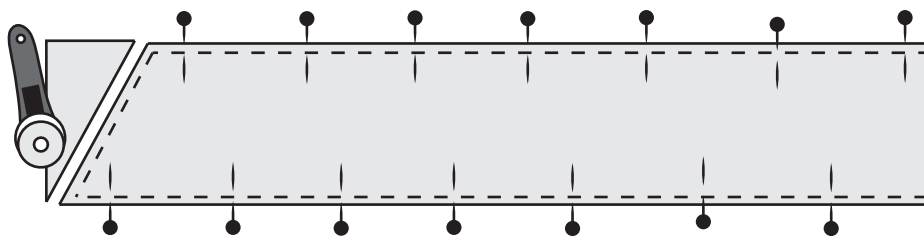


Pin and stitch to close corners to box out the base of the bag.

Repeat all steps for lining pieces. Turn outer and lining pieces right sides out and press.

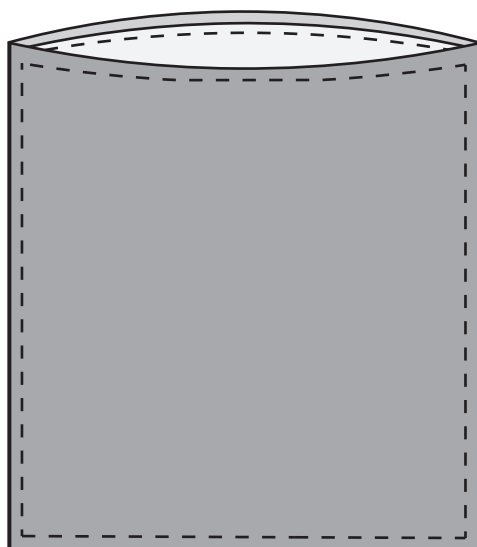
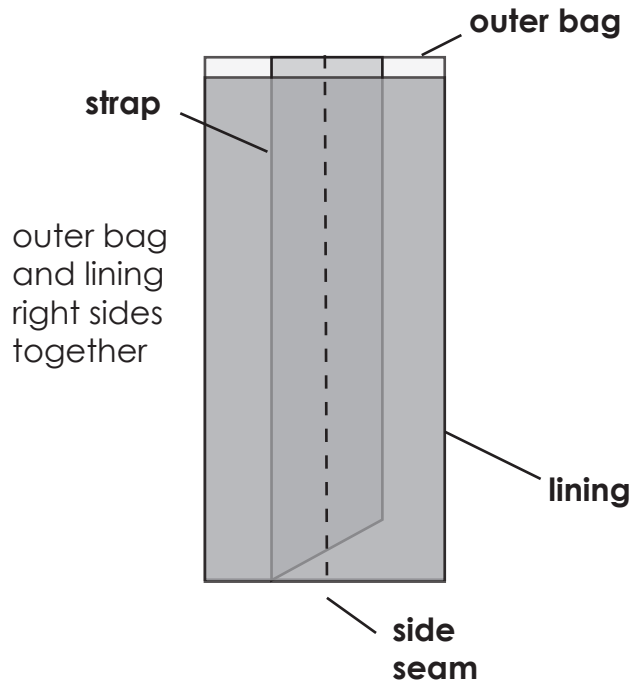
BOW STRAP INSTRUCTIONS

Take your 4 long strap pieces and add lightweight interfacing to the reverse side of your outer pieces (optional) place one outer and one lining strap piece right sides together. Pin in place and cut a 30 degree angle off one short end. Sew all around the edges leaving the bottom straight short end unsewn. Trim the excess seam allowance from the corners and turn right side out, push out your corners and press. Topstitch along the edges.



PATTERN INSTRUCTIONS

Place the outside of the bag inside the lining, right sides together, matching side seams. Take your straps and place with the pointed end downwards inside the bag between the layers, matching raw edges with the top of the bag. Make sure your straps are centred with the side seams. Pin and sew with a 1/2" seam allowance around the top edge of the bag.



PATTERN INSTRUCTIONS

Turn bag right sides out through the opening left in the lining. Press your bag then topstitch around the top of the bag, closing the gap left for turning.

Press your bag, tie your straps in a bow and your slouchy bow bag is done.



2
green
zebras

Two Green Zebras
Worldwide Distributor of
Devonstone Collection

www.twogreenzebras.com
sales@twogreenzebras.com
[@2greenzebras](https://www.instagram.com/2greenzebras) [@devonstone_collection](https://www.instagram.com/devonstone_collection)

AUSTRALIAN DISTRIBUTOR
LIBERTY.
FABRICS